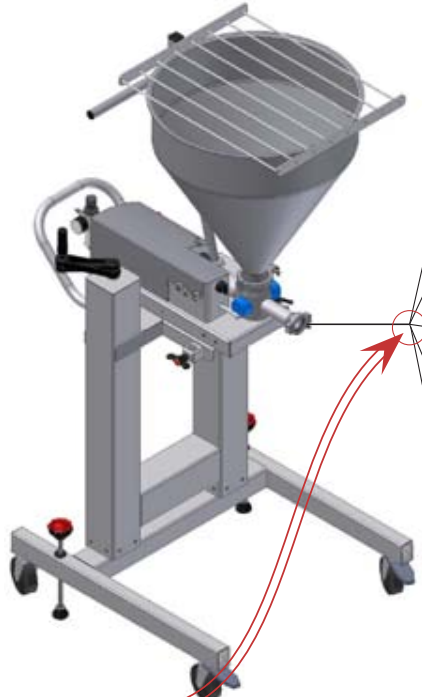


Belcon® 670 Medium series

Dosing volume:
5 to 670 cm³
in one deposit


► Make your choice according to your client's production needs.



Total price
Belcon® 670
Multifunctional depositor

prices ex factory Schoten excl. VAT/tax

1 → ● **Belcon + nozzle vertical Ø 25mm with option nut**




- piston Ø 85mm. Normal/Hot Temp°
- product cylinder Ø 85mm.
- rotation cylinder 670 Normal/Hot Temp°
- hopper conical 60 litre
- set tips
- footpedal without cover

● Total price, choose the T° of your deposits

A. Normal Temp° -7°C<+65°C	► € 13.267,00
B. Hot Temp° +65°C<+100°C	► € 13.394,00

2 → ● **Belcon + nozzle horizontal Ø25mm**




- piston Ø 85mm. Normal/Hot Temp°
- product cylinder Ø 85mm.
- rotation cylinder 670 Normal/Hot Temp°
- hopper conical 60 litre
- footpedal without cover

● Total price, choose the T° of your deposits

A. Normal Temp° -7°C<+65°C	► € 13.519,00
B. Hot Temp° +65°C<+100°C	► € 13.641,00

CHICKEN&CURRY SAUCE
90°C 40 PC/MIN.

3 → ● **Belcon + nozzle vertical Ø 29mm, 35mm diving with suck-back system and option nut**




- piston Ø 85mm. Normal/Hot Temp°
- product cylinder Ø 85mm.
- rotation cylinder 670 Normal/Hot Temp°
- hopper conical 60 litre
- set tips
- footpedal without cover

● Total price, choose the T° of your deposits

A. Normal Temp° -7°C<+65°C	► € 14.096,00
B. Hot Temp° +65°C<+100°C	► € 14.223,00

CREAM
8°C 40 PC/MIN.

4 → ● **Belcon + nozzle vertical Ø 29mm, 35mm diving with suck-back system, option nut and decorate head**

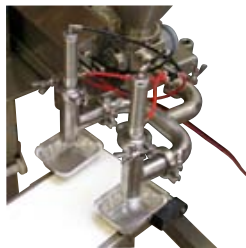


- piston Ø 85mm. Normal/Hot Temp°
- product cylinder Ø 85mm.
- rotation cylinder 670 Normal/Hot Temp°
- hopper conical 60 litre
- footpedal without cover

● Total price on request

CREAM
8°C 30 PC/MIN.

5 → ● **Belcon + multi-2**



- piston Ø 85mm. Normal/Hot Temp°
- product cylinder Ø 85mm.
- rotation cylinder 670 Normal/Hot Temp°
- hopper conical 60 litre
- footpedal without cover

● Total price on request